

REFERENCE SPECIFICATIONS

-NFC 93425 (in compliance with HE 507)

PHYSICAL CHARACTERISTICS

- INSULATOR MATERIAL: THERMOPLASTIC ,UL94V0
- ACCESSORIES: STAINLESS STEEL or BRASS,  
cadmium plated yellow passivation
- SHELLS: STEEL,  
cadmium plated yellow passivation

ELECTRICAL CHARACTERISTICS

- CONTACT/CONTACT : >=1000 V
- CONTACT/GROUND : >=1200 V
- INSULATION RESISTANCE: >=5000 MOhms

ENVIRONMENTAL CHARACTERISTICS

- CLIMATIC CATEGORY: 55/125/56  
TEMPERATURE RANGE -55°C TO +125°C  
DAMP HEAT STEADY STATE 56 DAYS  
SALT SPRAY 48 HOURS

# DBMF5W5PN

Series

Shell size: **E A B C**  
see sheet 2

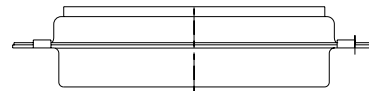
Front accessory definition  
see sheet 2

- Blank** :without accessory
- L** :threaded insert M3
- O** :threaded insert UNC 4-40
- V** :female screw UNC 4-40
- F** :floating mounting

Contacts  
Layout of contacts (see sheet 3)

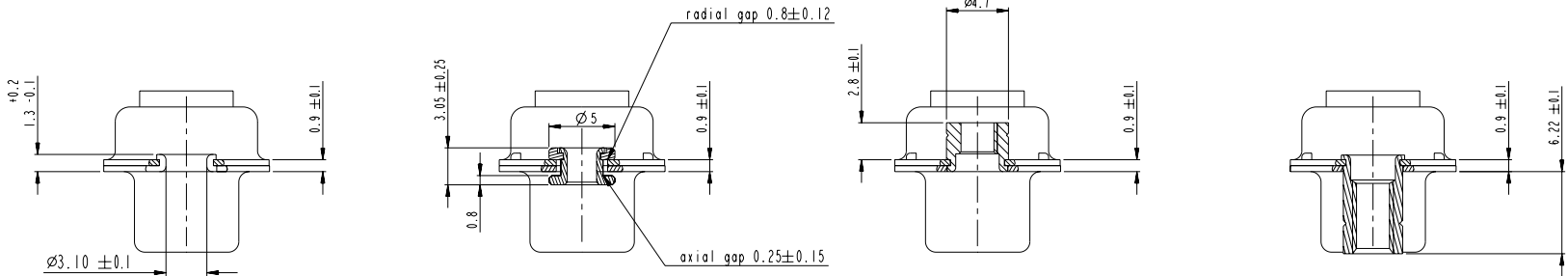
**P** :Pin

**N** :obligatory indication for HE 507 series



rev	ecn no	dr	date
A	LS06-0174	MPE	2006/11/14
B	LS07-0273	MPE	2007/10/30
-	-	-	-
-	-	-	-
-	-	-	-
-	-	-	-

www.fciconnect.com		surface	tolerance std	projection	mm
		ISO 1302	ISO 406 ISO 1101	⊕	←→
		TOLERANCES UNLESS OTHERWISE SPECIFIED		size	Scale
Dr	M PESSON	2006/11/14	ANGULAR	0.X ±0.3	A2 2:1
Eng	P LEGARE	2006/11/14	LINEAR	0.xx ±0.1	
Chr	P LEGARE	2006/11/14	0° ±2°	0.xxx ±0.05	ECN LS07-0273
Appr	P LEGARE	2006/11/14	Product family		Spec ref
		SUB MALE DMW		deg no	Rev.
		full power without contact		C01-8637-1732	B
catalog no		CUSTOMER		sheet 1 of 4	



FRONT ACCESSORY	<b>Blank</b> without	<b>F</b> Floating mounting	<b>L O</b> insert M3 insert UNC 4.40	<b>V</b> Femelle screw UNC 4.40
-----------------	----------------------	----------------------------	---	---------------------------------

PART NUMBER	FRONT ACCESSORY
D*M*W*PN	without
D*ML*W*PN	insert M3
D*MO*W*PN	insert UNC 4-40
D*MV*W*PN	female screw UNC 4-40
D*MF*W*PN	floating mounting

shell size LAYOUTS

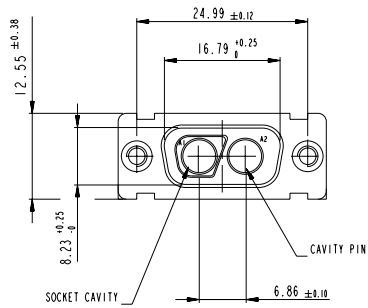
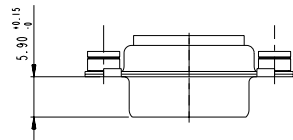
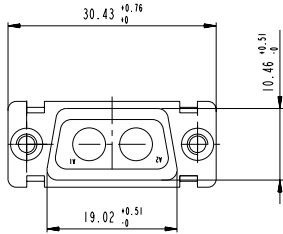
*	xWx
E	2V2
A	3V3
A	3W3
B	5W5
C	8W8

Copyright FCi.

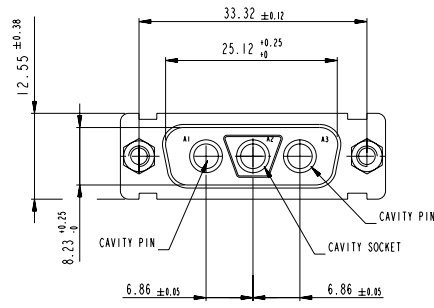
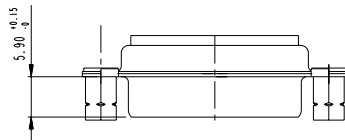
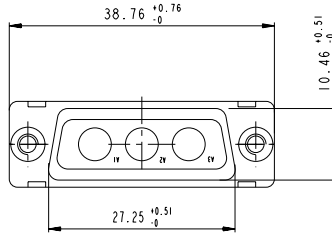
www.fciconnect.com		surface ISO 1302	tolerance std ISO 406 ISO 1101	projection mm
		TOLERANCES UNLESS OTHERWISE SPECIFIED		
Dr	M PESSON	2006/11/14	ANGULAR	0.X ±0.3
Eng	P LEGARE	2006/11/14	LINEAR	0.XX ±0.1
Chr	P LEGARE	2006/11/14	0° ±2°	0.XXX ±0.05
Appr	P LEGARE	2006/11/14	Product family	size A2 Scale 2:1
				ECN LS07-0273
				Spec ref
FCi		SUB MALE DMW		Rev. B
full power without contact		cat no	C01-8637-1732	
catalog no		CUSTOMER	sheet 2 of 4	

SCALE: 4

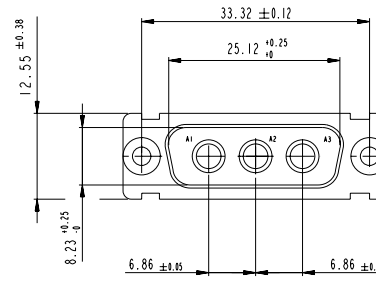
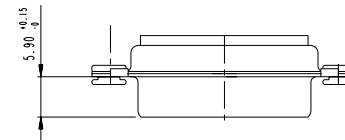
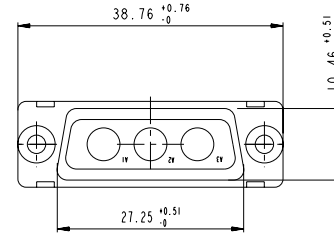
2V2



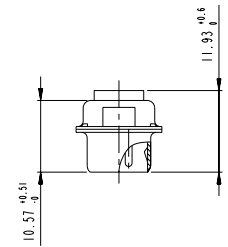
3V3



3W3



SIDE VIEW FOR LAYOUTS: E A B C

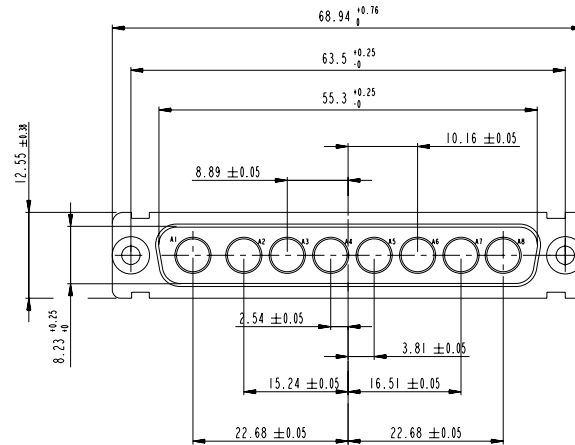
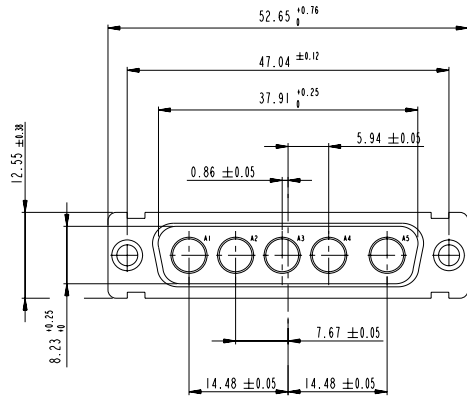
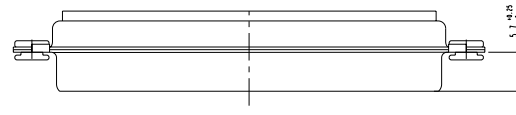
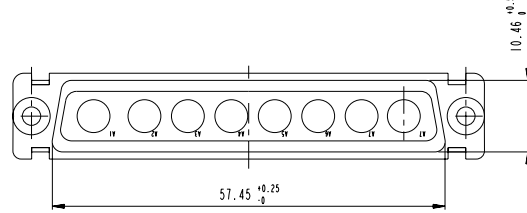
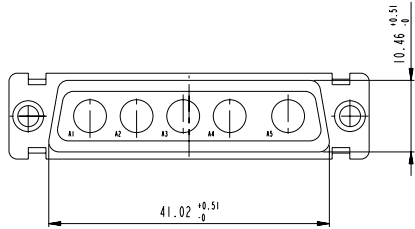


Copyright FCI.

www.fciconnect.com		surface -	ISO 1302	tolerance std	ISO 406	ISO 1101	projection	mm
		TOLERANCES UNLESS OTHERWISE SPECIFIED						
Dr	M PESSON	2006/11/14	ANGULAR	0.X	±0.3		size	A2
Eng	P LEGARE	2006/11/14	LINEAR	0.XX	±0.1		Scale	2:1
Chr	P LEGARE	2006/11/14	0° ±2°	0.XXX	±0.05		ECN	LS07-0273
Appr	P LEGARE	2006/11/14	Product family				Spec ref	
		SUB MALE DMW		cat no	C01-8637-1732		Rev.	B
		full power without contact				CUSTOMER	sheet 3 of 4	

5W5

8W8



Copyright FCI.

www.fciconnect.com		surface ISO 1302	tolerance std ISO 406 ISO 1101	projection mm
		TOLERANCES UNLESS OTHERWISE SPECIFIED		
Dr M PESSON	2006/11/14	ANGULAR	0.X ±0.3	size A2 Scale 2:1
Eng P LEGARE	2006/11/14	LINEAR	0.XX ±0.1	
Chr P LEGARE	2006/11/14	0° ±2°	0.XXX ±0.05	ECN LS07-0273
Appr P LEGARE	2006/11/14	Product family	-	Spec ref
FCI SUB MALE DMW		cat no	C01-8637-1732	Rev. B
full power without contact		customer	sheet 4 of 4	